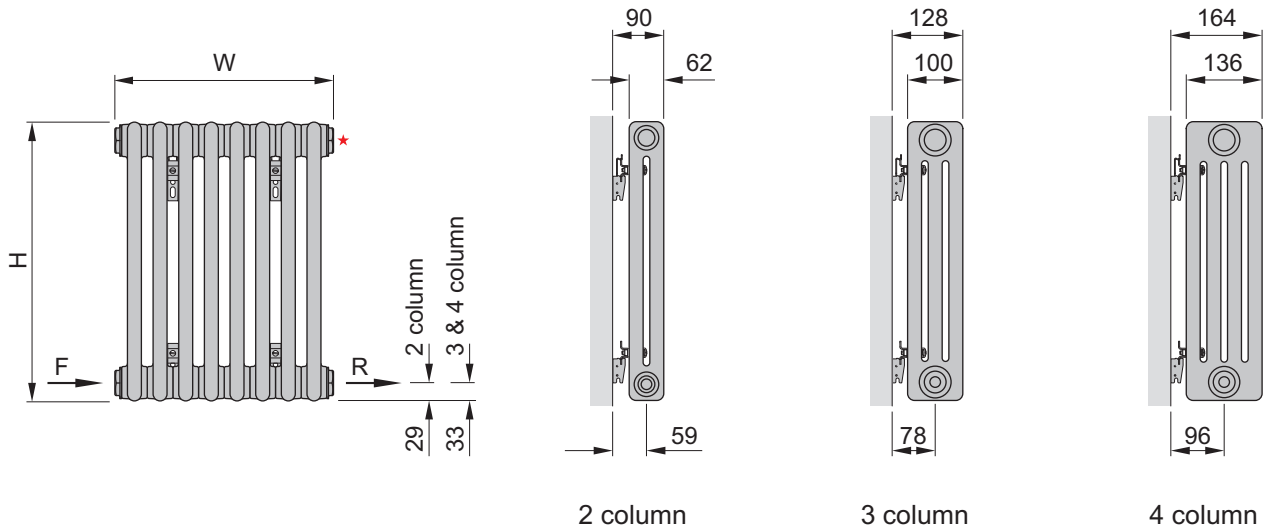


Column Radiators

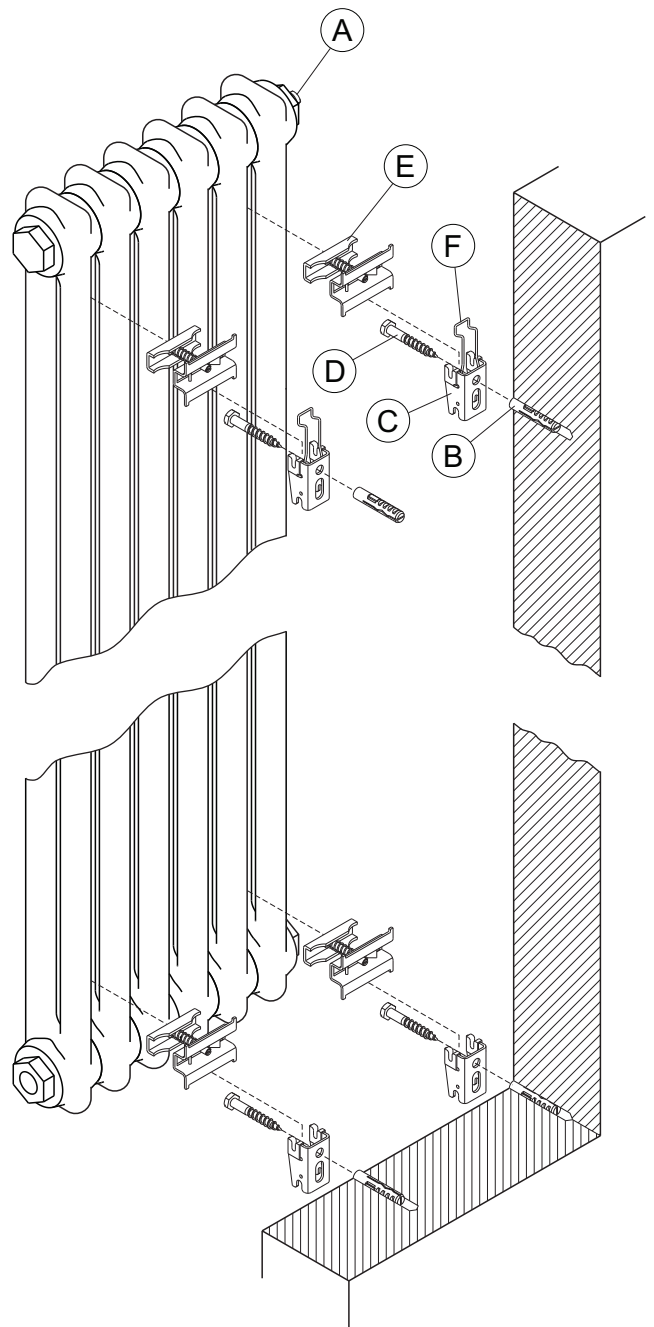


Model (inc. colours)	Height mm	Width mm	Output $\Delta T=50K$ Btu	Output $\Delta T=50K$ Watts	n (exponent)	Water Content litres	Dry Weight kg
U2909-8	900	398	1744	511	1.25	6.4	11.2
U2090-10	900	490	2180	639	1.25	8.0	14.0
U2120-8	1200	398	2257	662	1.26	8.8	15.2
U2120-10	1200	490	2822	827	1.26	11.0	19.0
U2150-8	1500	398	2839	832	1.26	10.4	18.4
U2150-10	1500	490	3548	1040	1.26	13.0	23.0
U2180-8	1800	398	3385	992	1.28	12.0	21.6
U2180-10	1800	490	4231	1240	1.28	15.0	27.0
U2200-8	2000	398	3767	1104	1.31	13.6	24.0
U2200-10	2000	490	4709	1380	1.31	17.0	30.0
U3030-19	300	904	2074	608	1.25	11.4	13.3
U3030-25	300	1180	2730	800	1.25	15.0	17.5
U3030-32	300	1502	3494	1024	1.25	19.2	22.4
U3030-36	300	1686	3931	1152	1.25	21.6	25.2
U3045-19	450	904	3034	889	1.25	13.3	20.9
U3045-25	450	1180	3992	1170	1.25	17.5	27.5
U3045-32	450	1502	5110	1498	1.25	22.4	35.2
U3045-36	450	1686	5749	1685	1.25	25.2	39.6
U3060-9	600	444	1870	548	1.30	8.1	12.6
U3060-13	600	628	2701	792	1.26	11.7	18.2
U3060-19	600	904	3948	1157	1.26	17.1	26.6
U3060-25	600	1180	5195	1523	1.26	22.5	35.0
U3060-32	600	1502	6649	1949	1.26	28.8	44.8
U3060-36	600	1686	7480	2192	1.26	32.4	50.4
U3180-10	1800	490	5664	1660	1.33	24.0	41.0
U3200-10	2000	490	6244	1830	1.33	26.0	45.0
U4060-13	600	628	3540	1037	1.27	15.6	26.0
U4060-19	600	904	5173	1516	1.27	22.8	38.0
U4060-25	600	1180	6807	1995	1.27	30.0	50.0

Column Radiators

Key	Component	Qty
A	Air Vent - 1/2" (factory fitted)	1
B	Wall Plug*	4
C	Bracket	4
D	Screw - Hex Head, 7mm dia x 60mm*	4
E	Clamp Assembly	4
F	Security Clip	2

* Wall Plugs & Screws not supplied



Assembly Instructions

Sufficient PTFE tape must be applied to valve-tail threads prior to their installation.
Silicone thread sealant should be applied to all threaded components manufactured with 'O-rings'.

Fit valve tails, using correct size Allen key.

Mark out bracket holes on wall.

Drill 10mm diameter holes in wall to a minimum depth of 65mm and insert wall plugs (B).

Attach brackets (C) to wall with screws (D) as shown and level.

Tightly fix the radiator tubes into the upper clamp assemblies (E).

Loosely fit the lower clamp assemblies (E) to the radiator.

Lift the radiator on to the wall and locate the upper clamp assemblies (E) into the slots in the upper brackets (B).

Slide the lower clamp assemblies (E) until they locate in the slots in the lower brackets (B) and tighten clamps.

Fix security clip (F) into position over upper clamps (E).

Plumb radiator to heating circuit with flow opposite air vent.

This radiator should be installed onto a central heating system that has been cleaned/flushed and contains water treatment and inhibitors in accordance with BS7593.